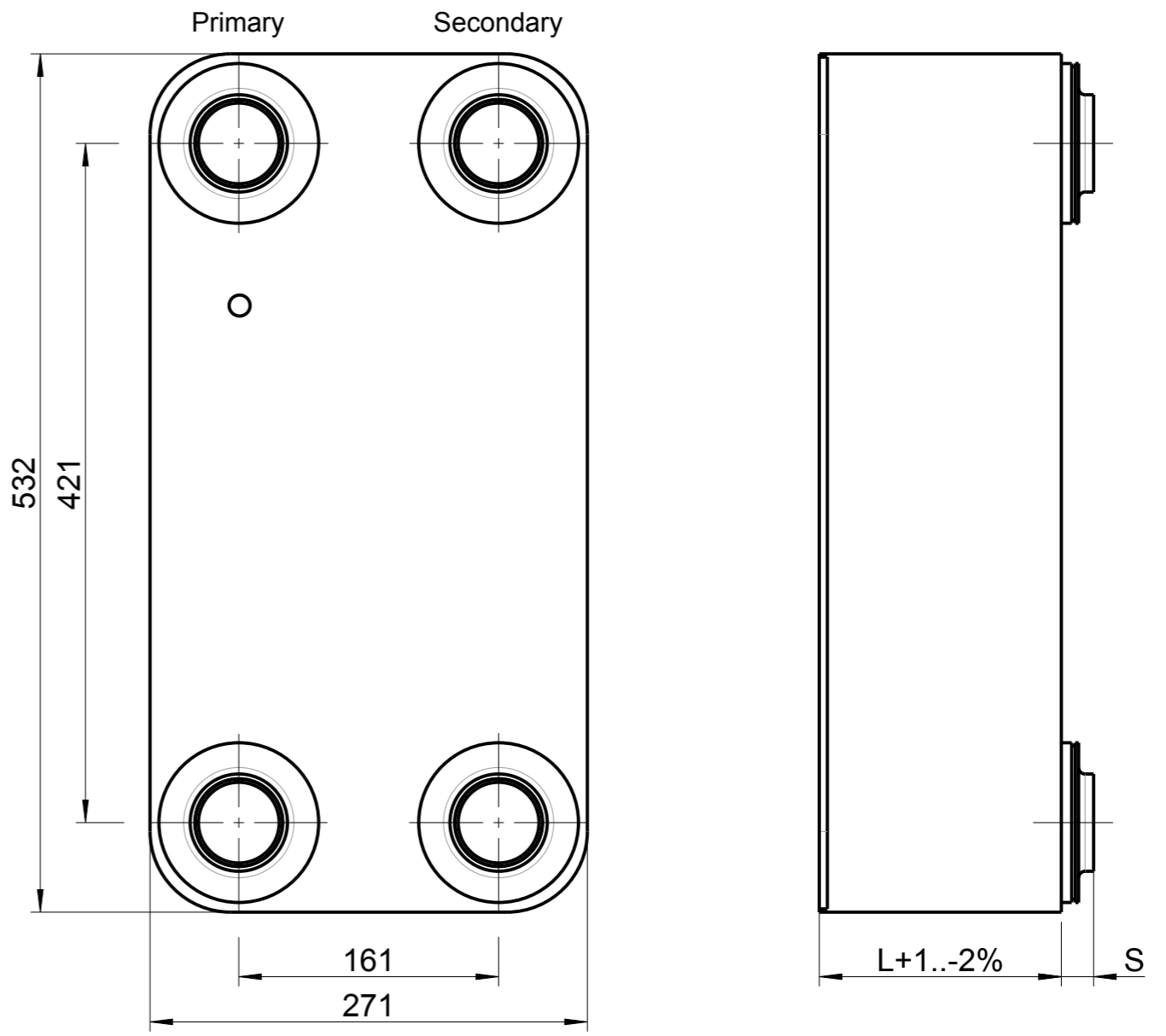
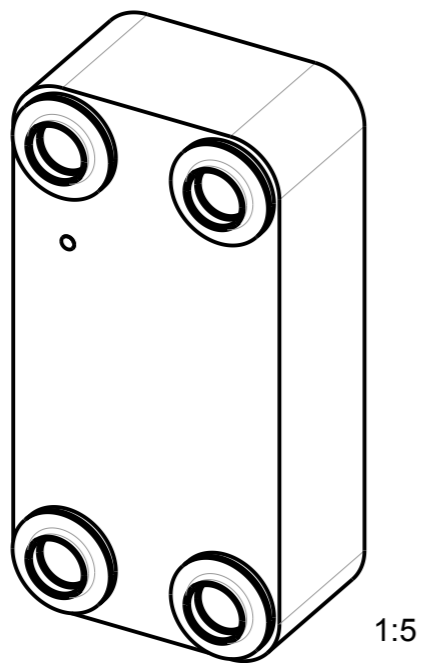


The manufacturer confirms that design, manufacturing and testing of the pressure vessel meet the requirements of the Pressure Equipment Directive 2014/68/EU. Subject to change without prior notice.

1		2		3		4		5		6		7		8	
Kelvion - PHE		Design Limits*		Approvals**		L-Measure***		Max. Number of plates (N)	Material		Empty Weight (kg)	Surface (m ²)			
Model		Temperature	Pressure						Plates	Solder					
<input type="checkbox"/> GBS800H-..		-196..+200 °C	31 bar	DGRL (PED), ASME BPVC VIII-1 UL		L=13.6+2.34xN		260	1.4404	Copper	10.70+0.500xN	0.130x(N-2)			

A *Attention: Connections can reduce the design limits!
 **other approvals on inquiry!
 ***valid for 4 connections front, other connection arrangements may result in different values.



Standard Connections				
CPTL	Size	Length	Primary	Secondary
Compac-Flange (1.4404)				
SC	DN65	S=62.0mm	<input type="checkbox"/>	<input type="checkbox"/>
TGD	DN80	S=107.5mm	<input type="checkbox"/>	<input type="checkbox"/>
External Thread				
GL	G2	S=40.0mm	<input type="checkbox"/>	<input type="checkbox"/>
GAZL	G2 1/2	S=40.0mm	<input type="checkbox"/>	<input type="checkbox"/>
Solder Connections				
IA	1 1/8" (Ø 28.7mm)	S=20.0mm	<input type="checkbox"/>	<input type="checkbox"/>
K	1 3/8" (Ø 35.1mm)	S=20.0mm	<input type="checkbox"/>	<input type="checkbox"/>
LZA	1 5/8" (Ø 41.6mm)	S=20.0mm	<input type="checkbox"/>	<input type="checkbox"/>
LZ	Ø 42.1mm	S=20.0mm	<input type="checkbox"/>	<input type="checkbox"/>
L	2 1/8" (Ø 54.0mm)	S=20.0mm	<input type="checkbox"/>	<input type="checkbox"/>
ZB	Ø 64.3mm	S=20.0mm	<input type="checkbox"/>	<input type="checkbox"/>
S	Ø 70.3mm	S=20.0mm	<input type="checkbox"/>	<input type="checkbox"/>
LR	Ø 76.2mm	S=30.0mm	<input type="checkbox"/>	<input type="checkbox"/>
LB	3 1/8" (Ø 79.6mm)	S=40.0mm	<input type="checkbox"/>	<input type="checkbox"/>
Additional connections on backplate (Internal Thread)				
OZ	G1/2	S=20.0mm	<input type="checkbox"/>	<input type="checkbox"/>
Other connections on inquiry!				

file name model: GBS800H-1808		file type: ASSEM	file name drawing: GBS800H-1808
Kelvion Brazed PHE GmbH Remsaer Straße 2a D-04603 Nobitz-Wilchwitz Tel. 03447-5539-0 Fax. 03447-5539-30		All measurements without tolerances are subject to the specified tolerance values of the document "technical dimensions" from Kelvion Brazed PHE GmbH	
		date	name
		Bear. 27.08.2018	L.Huster
		Gepr. 30.03.2022	P.Bonitz
		denomination: Plate Heat Exchanger GBS800H	
		drawing number: GBS800H-1910_EN	
		sheet 2 2 sheet	
(c) Standardanschl. geänd.	30.03.22	Sander	
(b) 10,01+0,54->10,7+0,5	17.10.19	Regen.	
(b) Hinweis Anschlüsse	17.10.19	Regen.	
(a) Hinweis Toleranz	25.01.19	Sacher	
(a) 13,8+2,34->13,6+2,34	25.01.19	Sacher	
stat	change	date	name

