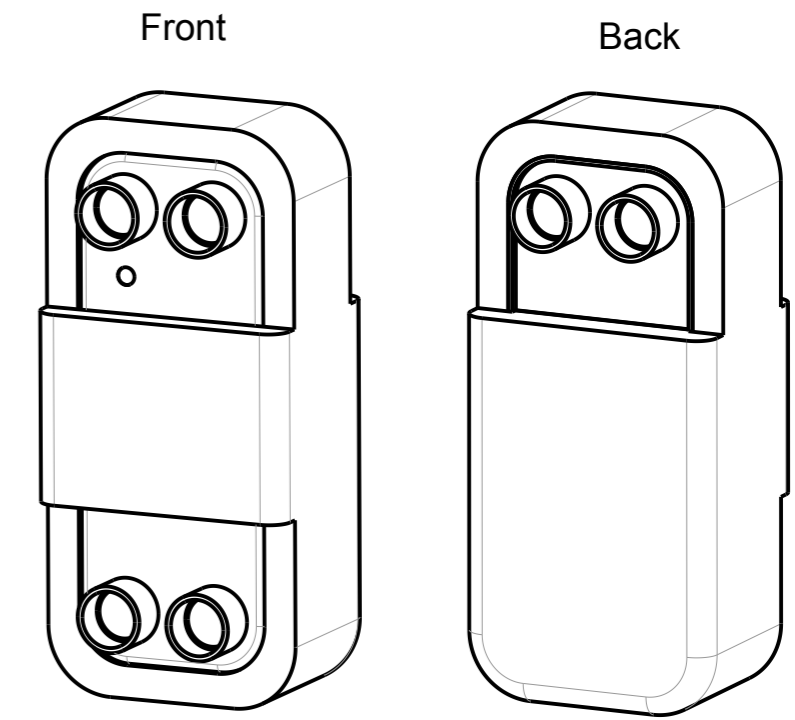


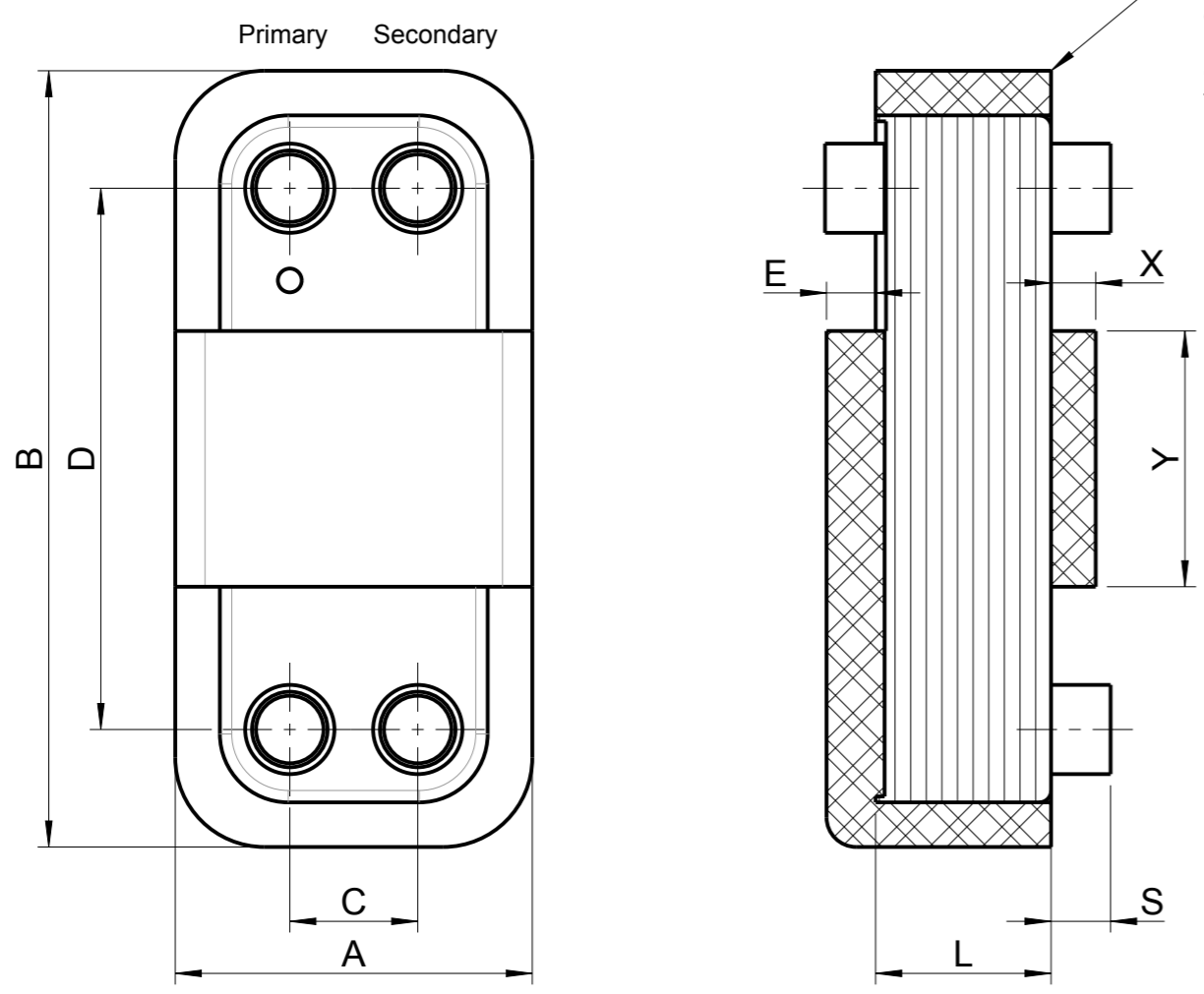
The manufacturer confirms that design, manufacturing and testing of the pressure vessel meet the requirements of the Pressure Equipment Directive 2014/68/EU. Subject to change without prior notice.

| Kelvion - PHE | Design Limits* | | Dimensions | | | | | | | | | | | |
|---------------|----------------|---------------|-----------------|-------|-----|------------|------------|-------|-------|-------|------|------------|------------|-------|
| | Model | Temperature** | No. of plates** | A | B | C | D | E | X | Y | | | | |
| 200 | -196...+170 °C | 50 | 120±2 | 261±2 | 43 | 182 | 9.5 +4/-2 | 15±2 | 86±2 | | | | | |
| 220 | | | | | | | | | | 358±2 | | | | |
| 228 | | | | | | | | | | 358±2 | | | | |
| 240 | | | | 494±2 | 415 | | | | | | | | | |
| 400 | | | | 154±2 | | 365±2 | | | | 73 | 281 | 155±2 | | |
| 418 | | | | 180±2 | | 336±2 | | | | 84 | 239 | | 24.5 +4/-2 | 32±2 |
| 500 | | 154±2 | 562±2 | 73 | 478 | 14.5 +4/-2 | 15±2 | 352±2 | | | | | | |
| 525 | | 100 | 175±2 | 580±2 | 200 | 460 | 21.5 +4/-2 | 18±2 | 300±2 | | | | | |
| 550 | | 150 | 154±2 | | | | | | | 73 | 478 | 14.5 +4/-2 | 15±2 | 352±2 |
| 700 | | 130 | 320±2 | | | | | | | 198 | 421 | 21.5 +4/-2 | 18±2 | |
| 757 | | 100 | | | | | | | | | | | | |
| 770 | | 150 | | | | | | | | | | | | |
| 800 | | 130 | 161 | | | | | | | 421 | 18±2 | | | |
| 910 | | 200 | 376±2 | 838±2 | 225 | 690 | 24.5 +4/-2 | 31±2 | 500±2 | | | | | |

*Attention: Connections can reduce the design limits!
 **If the value here is higher than the value of the basic model, the value of the basic model counts



3:10
Exemplary representation with 6 connections



Information on dimensions and approvals as well as further information analogue to the respective drawing of the basic model

This drawing is only valid in combination with the respective drawing of the basic model

| | | |
|---|---|---|
| file name model: ISO_191029 | file type: ASSEM | file name drawing: ISO_191029 |
| Kelvion Brazed PHE GmbH Remsaer Straße 2a D-04603 Nobitz-Wilchwitz Tel. 03447-5539-0 Fax. 03447-5539-30 | All measurements without tolerances are subject to the specified tolerance values of the document "technical dimensions" from Kelvion Brazed PHE GmbH | scale 2:5 |
| | date name | denomination: |
| | Bear. 17.02.2021 U.Sander | Plate Heat Exchanger Factory Insulated |
| | Gepr. 17.02.2021 C.Schmidt | |
| | | drawing number: |
| | | Factory_INSULATED_EN |
| | | sheet 2 2 sheet |
| stat | change | date name |

