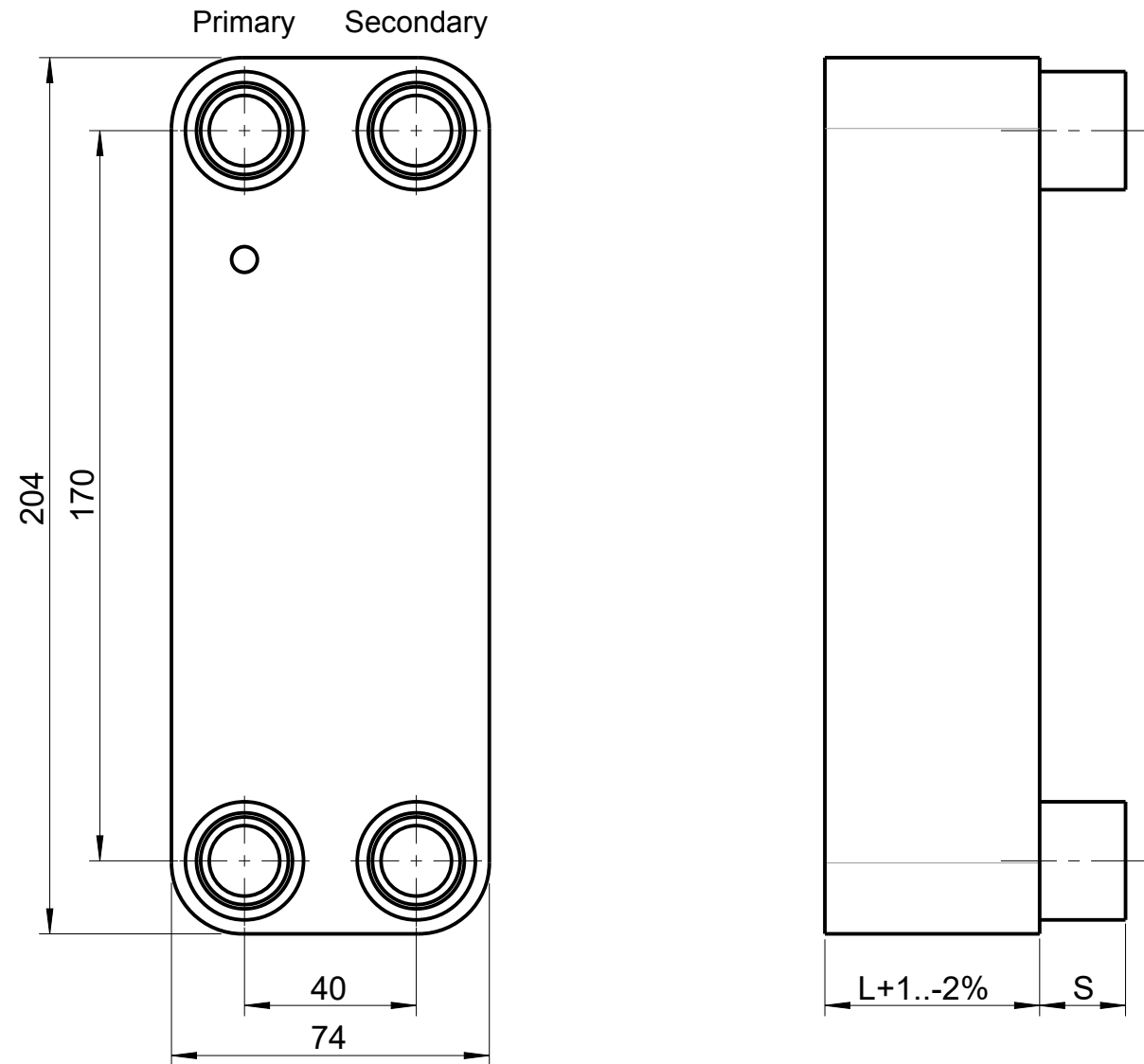
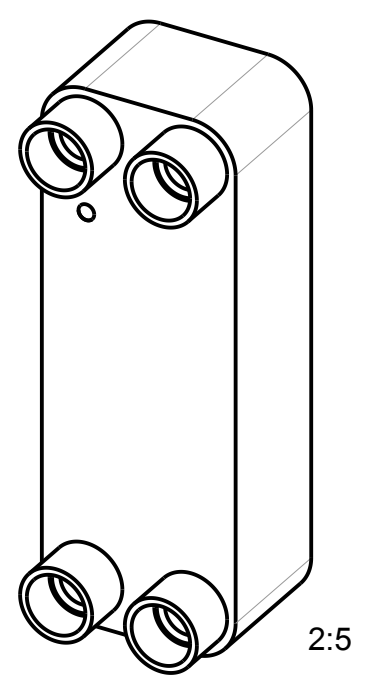


The manufacturer confirms that design, manufacturing and testing of the pressure vessel meet the requirements of the Pressure Equipment Directive 2014/68/EU. Subject to change without prior notice.

1		2		3		4		5		6		7		8	
Kelvion - PHE		Design Limits*		Approvals**		L-Measure***		Max. Number of plates (N)	Material		Empty Weight (kg)	Surface (m ²)			
	Model	Temperature	Pressure			L=8,0+2,23xN	L=8,3+2,23xN	50	Plates	Solder	0,65+0,050xN	0,70+0,050xN			0,014x(N-2)
<input type="checkbox"/>	GBS100M-..	0..+200 °C	31 bar	DGRL (PED), ASME BPVC VIII-1 UL					1.4404	Copper					
<input type="checkbox"/>	GBS100M-..-R	-196..+200 °C													

*Attention: Connections can reduce the design limits!
 **other approvals on inquiry!
 ***valid for 4 connections front, other connection arrangements may result in different values.



Standard Connections				
C-PTL	Size	Length	Primary	Secondary
External Thread				
B	G1/2	S=20,0mm	<input type="checkbox"/>	<input type="checkbox"/>
C	G3/4	S=20,0mm	<input type="checkbox"/>	<input type="checkbox"/>
Internal Thread				
OZ	G1/2	S=20,0mm	<input type="checkbox"/>	<input type="checkbox"/>
Solder Connections				
DB	1/4" (Ø 6,4mm)	S=20,0mm	<input type="checkbox"/>	<input type="checkbox"/>
MO	Ø 8,4mm	S=20,0mm	<input type="checkbox"/>	<input type="checkbox"/>
NO	3/8" (Ø 9,9mm)	S=20,0mm	<input type="checkbox"/>	<input type="checkbox"/>
TZ	Ø 10,3mm	S=20,0mm	<input type="checkbox"/>	<input type="checkbox"/>
M	1/2" (Ø 13,0mm)	S=20,0mm	<input type="checkbox"/>	<input type="checkbox"/>
O	5/8" (Ø 16,3mm)	S=20,0mm	<input type="checkbox"/>	<input type="checkbox"/>
H	7/8" (Ø 22,35mm)	S=20,0mm	<input type="checkbox"/>	<input type="checkbox"/>
Additional connections on backplate (Internal Thread)				
OZ	G1/2	S=20,0mm	<input type="checkbox"/>	<input type="checkbox"/>
Other connections on inquiry!				

file name model: GBS100M-1704			file type: ASSEM		file name drawing: GBS100M-1704	
Kelvion Brazed PHE GmbH Remsaer Straße 2a D-04603 Nobitz-Wilchwitz Tel. 03447-5539-0 Fax. 03447-5539-30			All measurements without tolerances are subject to the specified tolerance values of the document "technical dimensions" from Kelvion Brazed PHE GmbH			scale 3:5
			date		name	
			Bear. 05.04.2017		L.Huster	
			Gepr. 05.06.2020		C.Schmidt	
			denomination: Plate Heat Exchanger GBS100M			
			drawing number: GBS100M-1910_EN			
			sheet2			
			2 sheet			
(b)	0,70+0,05->0,65+0,05	17.10.19	Regen.	date	name	
(b)	Hinweis Anschlüsse	17.10.19	Regen.			
(a)	Hinweis Toleranz	18.01.19	Sacher			
stat	change	date	name			