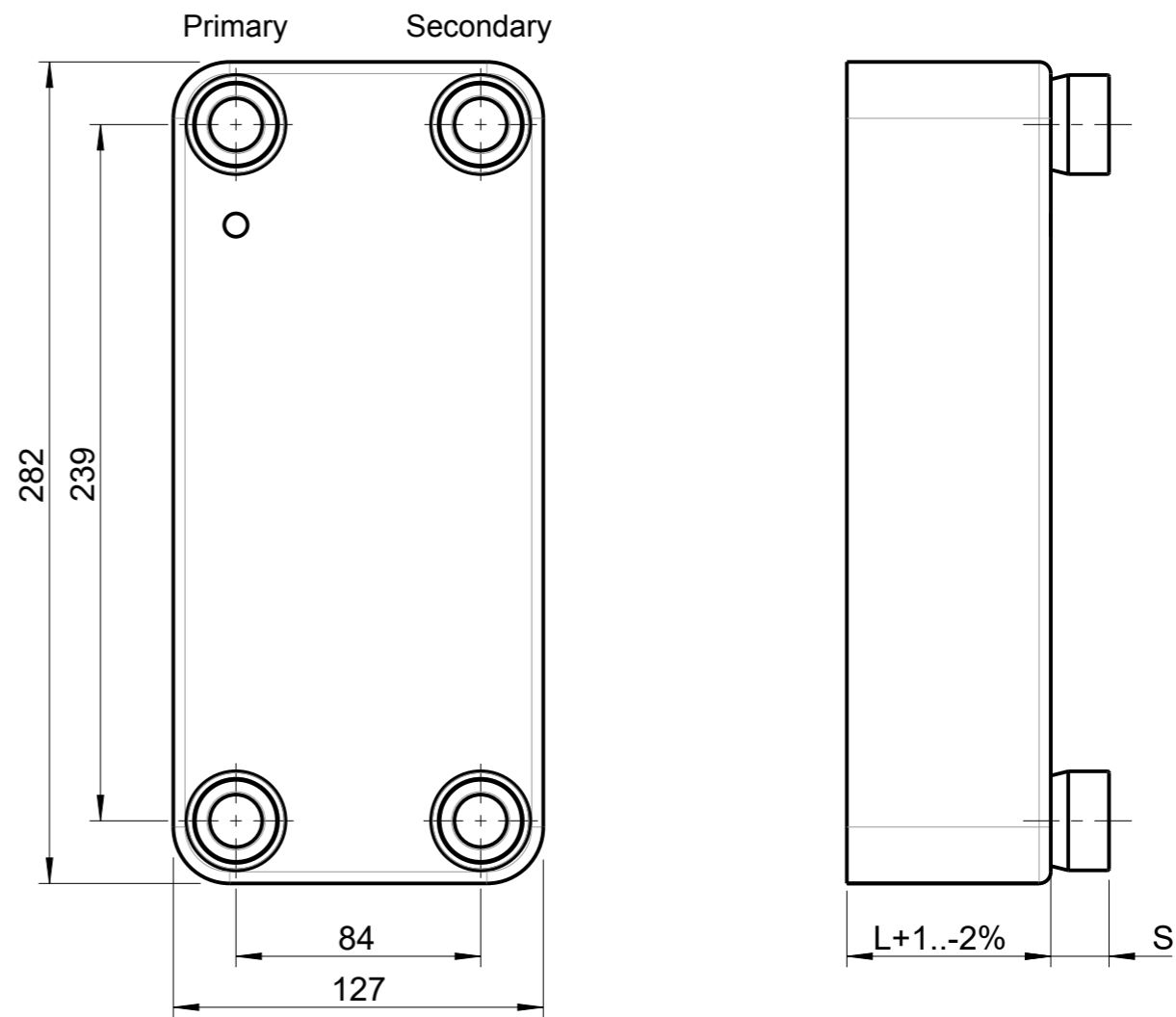
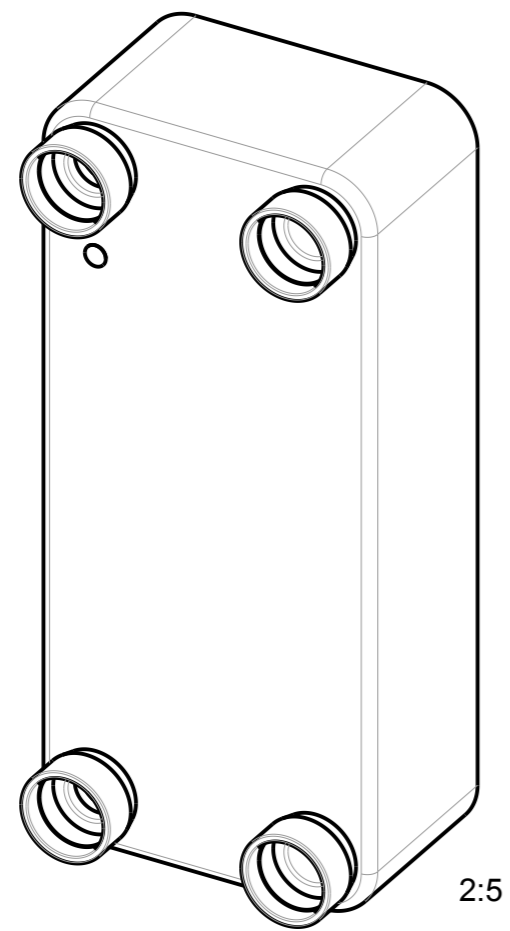


The manufacturer confirms that design, manufacturing and testing of the pressure vessel meet the requirements of the Pressure Equipment Directive 2014/68/EU. Subject to change without prior notice.

1		2		3		4		5		6		7		8	
Kelvion - PHE		Design Limits*				Approvals**		L-Measure***		Max. Number of plates (N)	Material		Empty Weight (kg)	Surface (m ²)	
Model		Temperature		Pressure							Plates	Solder			
<input type="checkbox"/> GBS418L-..		t ₁ : -196..+125 °C		p ₁ : 40 bar		DGRL (PED)		L=9,0+2,05xN		50	1.4404	Copper	1,40+0,118xN	0,040x(N-2)	
<input type="checkbox"/> GBS418M-..		t ₂ : -196..+200 °C		p ₂ : 33 bar		UL									

*Attention: Connections can reduce the design limits!
 **other approvals on inquiry!
 ***valid for 4 connections front, other connection arrangements may result in different values.



Standard Connections				
C-PTL	Size	Length	Primary	Secondary
External Thread				
XC	G3/4	S=20,0mm	<input type="checkbox"/>	<input type="checkbox"/>
XEB	G1	S=20,0mm	<input type="checkbox"/>	<input type="checkbox"/>
Internal Thread				
XOZ	G1 /2	S=20,0mm	<input type="checkbox"/>	<input type="checkbox"/>
XP	G3/4	S=20,0mm	<input type="checkbox"/>	<input type="checkbox"/>
Solder Connections				
XHA	7/8"+22mm	S=20,0mm	<input type="checkbox"/>	<input type="checkbox"/>
XIA	1 1/8"+28mm	S=20,0mm	<input type="checkbox"/>	<input type="checkbox"/>
Other connections on inquiry!				

file name model: GBS418L_M-1704			file type: ASSEM		file name drawing: GBS418L_M-1704	
Kelvion Brazed PHE GmbH Remsaer Straße 2a D-04603 Nobitz-Wilchwitz Tel. 03447-5539-0 Fax. 03447-5539-30			All measurements without tolerances are subject to the specified tolerance values of the document "technical dimensions" from Kelvion Brazed PHE GmbH		scale 2:5	
			date		name	
			Bear. 05.04.2017		L.Huster	
			Gepr. 05.06.2020		C.Schmidt	
					denomination: Plate Heat Exchanger GBS418L/M	
					drawing number: GBS418L_M-1910_EN	
					sheet2	
					2 sheet	
stat			change		date name	

