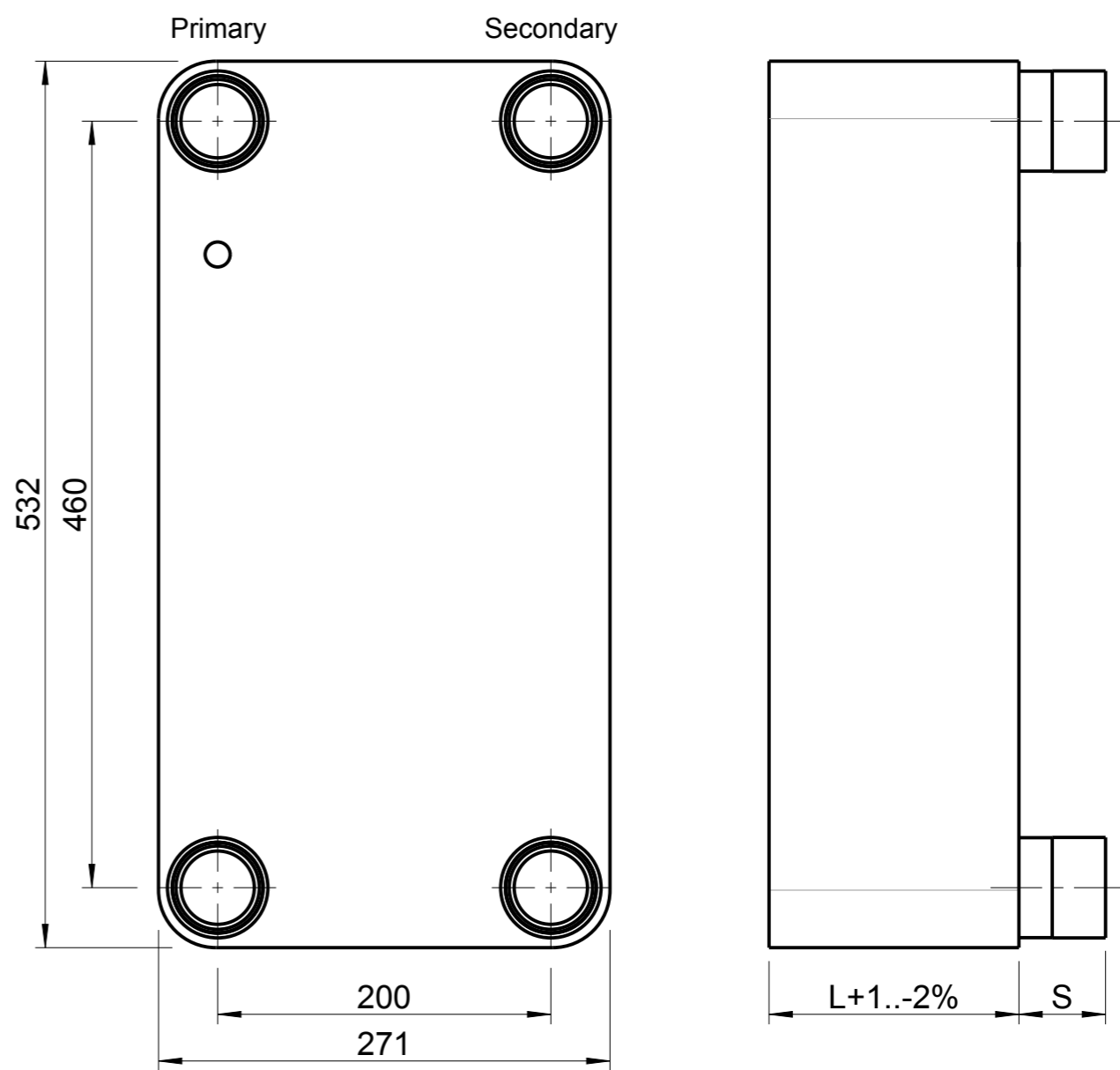
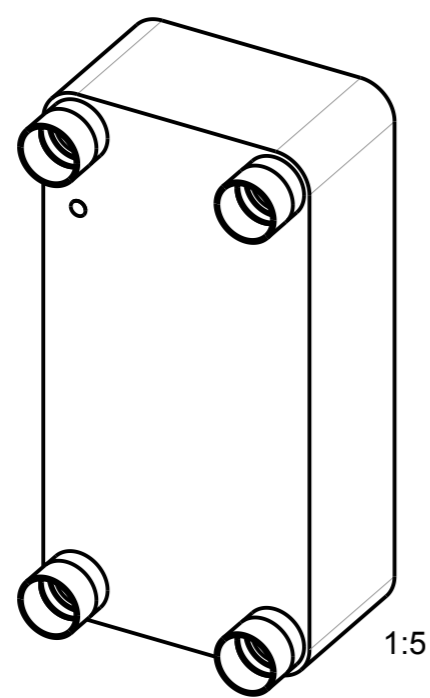


The manufacturer confirms that design, manufacturing and testing of the pressure vessel meet the requirements of the Pressure Equipment Directive 2014/68/EU. Subject to change without prior notice.

1		2		3		4		5		6		7		8	
Kelvion - PHE		Design Limits*		Approvals**		L-Measure***		Max. Number of plates (N)	Material		Empty Weight (kg)	Surface (m ²)			
	Model	Temperature	Pressure						Plates	Solder					
<input type="checkbox"/>	GBS700L-..	-196..+200 °C	31 bar	DGRL (PED), ASME BPVC VIII-1 UL		L=10.9+2.29xN		150	1.4404	Copper	7.05+0.470xN	0.135x(N-2)			
<input type="checkbox"/>	GBS700M-..														

*Attention: Connections can reduce the design limits!
 **other approvals on inquiry!
 ***valid for 4 connections front, other connection arrangements may result in different values.



Standard Connections				
C-PTL	Size	Length	Primary	Secondary
Welding-Neck-Flange PN40 - DIN2635				
TM	DN40	S=95.0mm	<input type="checkbox"/>	<input type="checkbox"/>
LM	DN50	S=100.0mm	<input type="checkbox"/>	<input type="checkbox"/>
External Thread				
GZ	G1 1/2	S=20.0mm	<input type="checkbox"/>	<input type="checkbox"/>
G	G2	S=20.0mm	<input type="checkbox"/>	<input type="checkbox"/>
GL	G2	S=40.0mm	<input type="checkbox"/>	<input type="checkbox"/>
GLZ	G2	S=30.0mm	<input type="checkbox"/>	<input type="checkbox"/>
GAZL	G2 1/2	S=40.0mm	<input type="checkbox"/>	<input type="checkbox"/>
Solder Connections				
H	7/8" (Ø 22.35mm)	S=20.0mm	<input type="checkbox"/>	<input type="checkbox"/>
I	Ø 28.35mm	S=20.0mm	<input type="checkbox"/>	<input type="checkbox"/>
IA	1 1/8" (Ø 28.7mm)	S=20.0mm	<input type="checkbox"/>	<input type="checkbox"/>
K	1 3/8" (Ø 35.1mm)	S=20.0mm	<input type="checkbox"/>	<input type="checkbox"/>
LZA	1 5/8" (Ø 41.6mm)	S=20.0mm	<input type="checkbox"/>	<input type="checkbox"/>
LZ	Ø 42.1mm	S=20.0mm	<input type="checkbox"/>	<input type="checkbox"/>
L	2 1/8" (Ø 54.0mm)	S=20.0mm	<input type="checkbox"/>	<input type="checkbox"/>
Additional connections on backplate (Internal Thread)				
OZ	G1/2	S=20.0mm	<input type="checkbox"/>	<input type="checkbox"/>
Other connections on inquiry!				

file name model: GBS700L_M-1704		file type: ASSEM	file name drawing: GBS700L_M-1704	
Kelvion Brazed PHE GmbH Remsaer Straße 2a D-04603 Nobitz-Wilchwitz Tel. 03447-5539-0 Fax. 03447-5539-30		All measurements without tolerances are subject to the specified tolerance values of the document "technical dimensions" from Kelvion Brazed PHE GmbH		scale 3:10
		date	name	
		Bear. 06.04.2017	L.Huster	
		Gepr. 30.03.2022	P.Bonitz	
		denomination: Plate Heat Exchanger GBS700L/M		
		drawing number: GBS700L_M-1910_EN		sheet 2 2 sheet
(c)	Standardanschl. geänd.	30.03.22	Sander	
(b)	9,6+0,54->7,05+0,47	17.10.19	Regen.	
(b)	Hinweis Anschlüsse	17.10.19	Regen.	
(a)	Hinweis Toleranz	24.01.19	Sacher	
(a)	11,0+2,29->10,9+2,29	24.01.19	Sacher	
stat	change	date	name	

