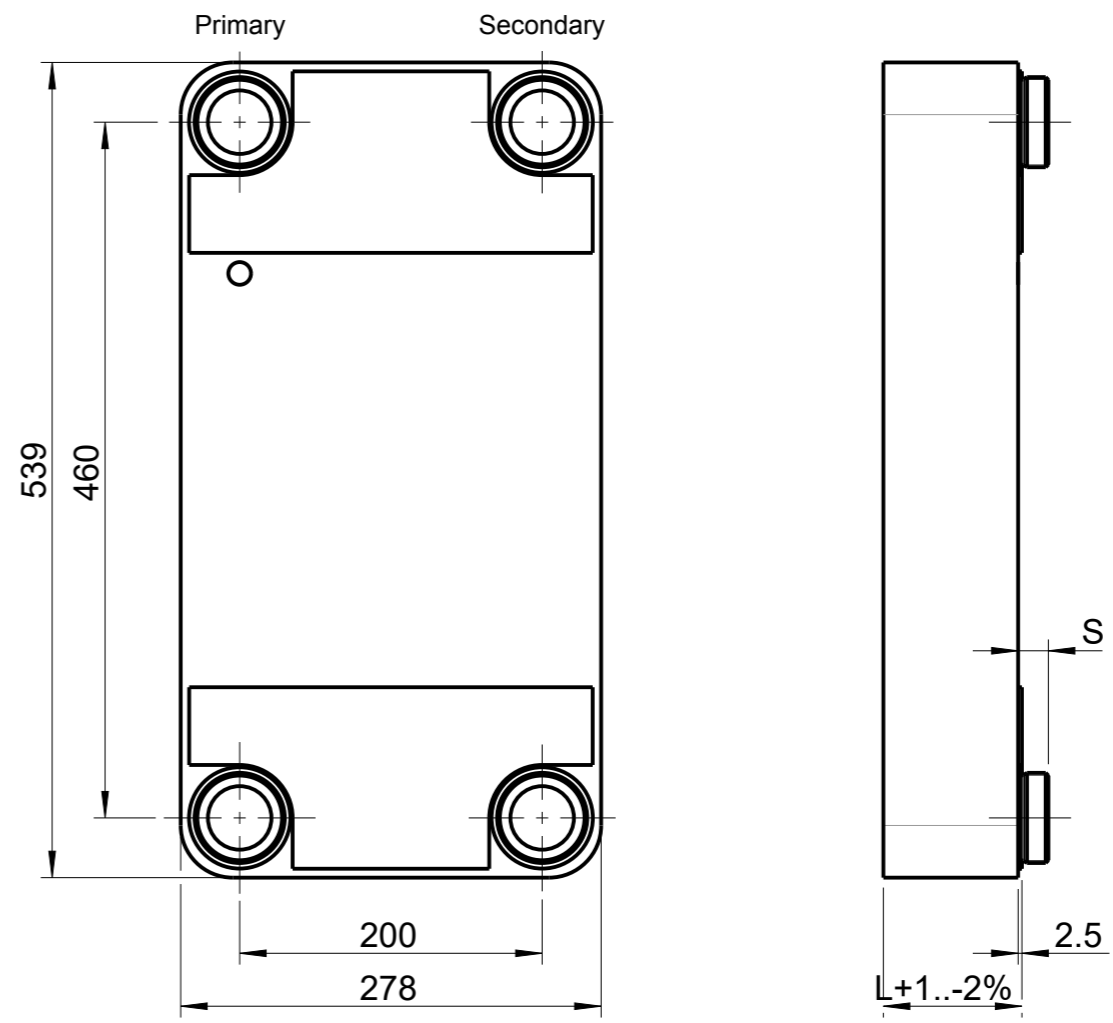
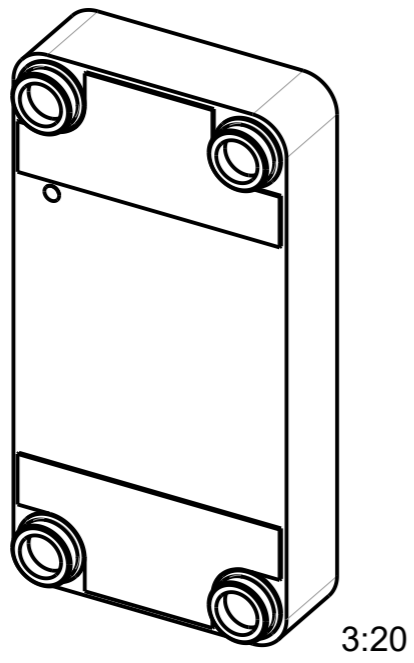



The manufacturer confirms that design, manufacturing and testing of the pressure vessel meet the requirements of the Pressure Equipment Directive 2014/68/EU. Subject to change without prior notice.

1	2	3	4	5	6	7	8		
Kelvion-PHE	Design Limits*		Approvals**	L-Measure***	Max. Number of plates (N)	Material	Empty Weight (kg)	Surface (m ²)	
Model	Temperature	Pressure			Plates	Solder			
<input type="checkbox"/> GKS770M-...	-196..+200 °C	31 bar	DGRL (PED), ASME BPVC VIII-1 UL	13.4+1.73xN	250	1.4404	Copper	7.80+0.470xN	0.160x(N-2)
<input type="checkbox"/> GKS770H-...									

A *Attention: Connections can reduce the design limits!
 **other approvals on inquiry
 ***valid for 4 connections front, other connection arrangements may result in different values.



Standard Connections				
C-PTL	Size	Length	Primary	Secondary
Welding-Neck-Flange DIN 2635 (PN40)				
TM	DN40	S=95.0mm	<input type="checkbox"/>	<input type="checkbox"/>
LM	DN50	S=100.0mm	<input type="checkbox"/>	<input type="checkbox"/>
External Thread				
GZ	G1 1/2	S=20.0mm	<input type="checkbox"/>	<input type="checkbox"/>
G	G2	S=20.0mm	<input type="checkbox"/>	<input type="checkbox"/>
GL	G2	S=40.0mm	<input type="checkbox"/>	<input type="checkbox"/>
GAZL	G2 1/2	S=40.0mm	<input type="checkbox"/>	<input type="checkbox"/>
Solder Connections				
H	7/8" (Ø22.35mm)	S=20.0mm	<input type="checkbox"/>	<input type="checkbox"/>
I	Ø28.35mm	S=20.0mm	<input type="checkbox"/>	<input type="checkbox"/>
IA	1 1/8" (Ø28.7mm)	S=20.0mm	<input type="checkbox"/>	<input type="checkbox"/>
K	1 3/8" (Ø35.1mm)	S=20.0mm	<input type="checkbox"/>	<input type="checkbox"/>
LZA	1 5/8" (Ø41.6mm)	S=20.0mm	<input type="checkbox"/>	<input type="checkbox"/>
LZ	Ø42.1mm	S=20.0mm	<input type="checkbox"/>	<input type="checkbox"/>
L	2 1/8" (Ø54.0mm)	S=20.0mm	<input type="checkbox"/>	<input type="checkbox"/>
Additional connections on backplate (Internal Thread)				
OZ	G1/2	S=20.0mm	<input type="checkbox"/>	<input type="checkbox"/>
Other connections on inquiry!				

file name model: GKS770M_H-1906	file type: ASSEM	file name drawing: GKS770M_H-1906																											
Kelvion Brazed PHE GmbH Remsaer Straße 2a D-04603 Nobitz-Wilchwitz Tel. 03447-5539-0 Fax. 03447-5539-30	All measurements without tolerances are subject to the specified tolerance values of the document "technical dimensions" from Kelvion Brazed PHE GmbH	scale 1:5																											
<table border="1"> <thead> <tr> <th></th> <th>date</th> <th>name</th> </tr> </thead> <tbody> <tr> <td>(e) Standardanschl. geänd.</td> <td>30.03.22</td> <td>Sander</td> </tr> <tr> <td>(d) 0,135->0,160</td> <td>12.10.20</td> <td>Regen.</td> </tr> <tr> <td>(c) GKS770M/L-...UL entf.</td> <td>12.10.20</td> <td>Regen.</td> </tr> <tr> <td>(b) (N): 200 -> 250</td> <td>13.02.20</td> <td>Heller</td> </tr> <tr> <td>(a) 9,6+0,54->7,8+0,47</td> <td>20.06.19</td> <td>Pennd.</td> </tr> <tr> <td>(a) 13,0+1,73->13,4+1,73</td> <td>20.06.19</td> <td>Pennd.</td> </tr> <tr> <td>(a) Hinweis Toleranz</td> <td>20.06.19</td> <td>Pennd.</td> </tr> <tr> <td>stat</td> <td>change</td> <td>date</td> </tr> </tbody> </table>			date	name	(e) Standardanschl. geänd.	30.03.22	Sander	(d) 0,135->0,160	12.10.20	Regen.	(c) GKS770M/L-...UL entf.	12.10.20	Regen.	(b) (N): 200 -> 250	13.02.20	Heller	(a) 9,6+0,54->7,8+0,47	20.06.19	Pennd.	(a) 13,0+1,73->13,4+1,73	20.06.19	Pennd.	(a) Hinweis Toleranz	20.06.19	Pennd.	stat	change	date	denomination: Plate Heat Exchanger GKS770M/H
	date	name																											
(e) Standardanschl. geänd.	30.03.22	Sander																											
(d) 0,135->0,160	12.10.20	Regen.																											
(c) GKS770M/L-...UL entf.	12.10.20	Regen.																											
(b) (N): 200 -> 250	13.02.20	Heller																											
(a) 9,6+0,54->7,8+0,47	20.06.19	Pennd.																											
(a) 13,0+1,73->13,4+1,73	20.06.19	Pennd.																											
(a) Hinweis Toleranz	20.06.19	Pennd.																											
stat	change	date																											
		drawing number: GKS770M_H-1906_EN sheet 2 2 sheet																											